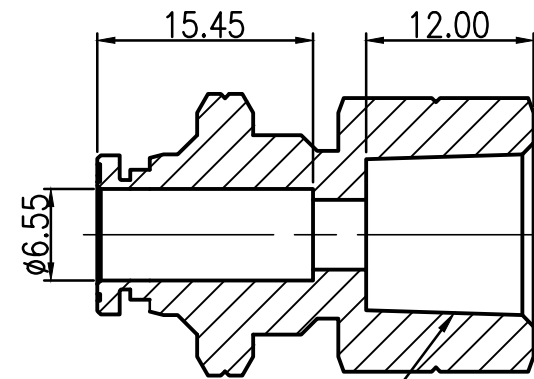
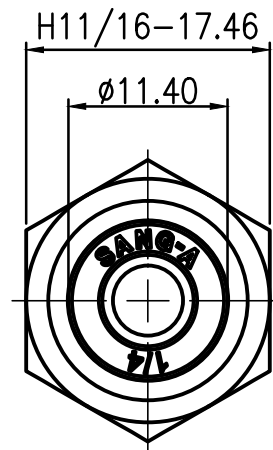


UNF 9/16, P=1.4111

H11/16-17.46



NPT 1/4, P=1.4111