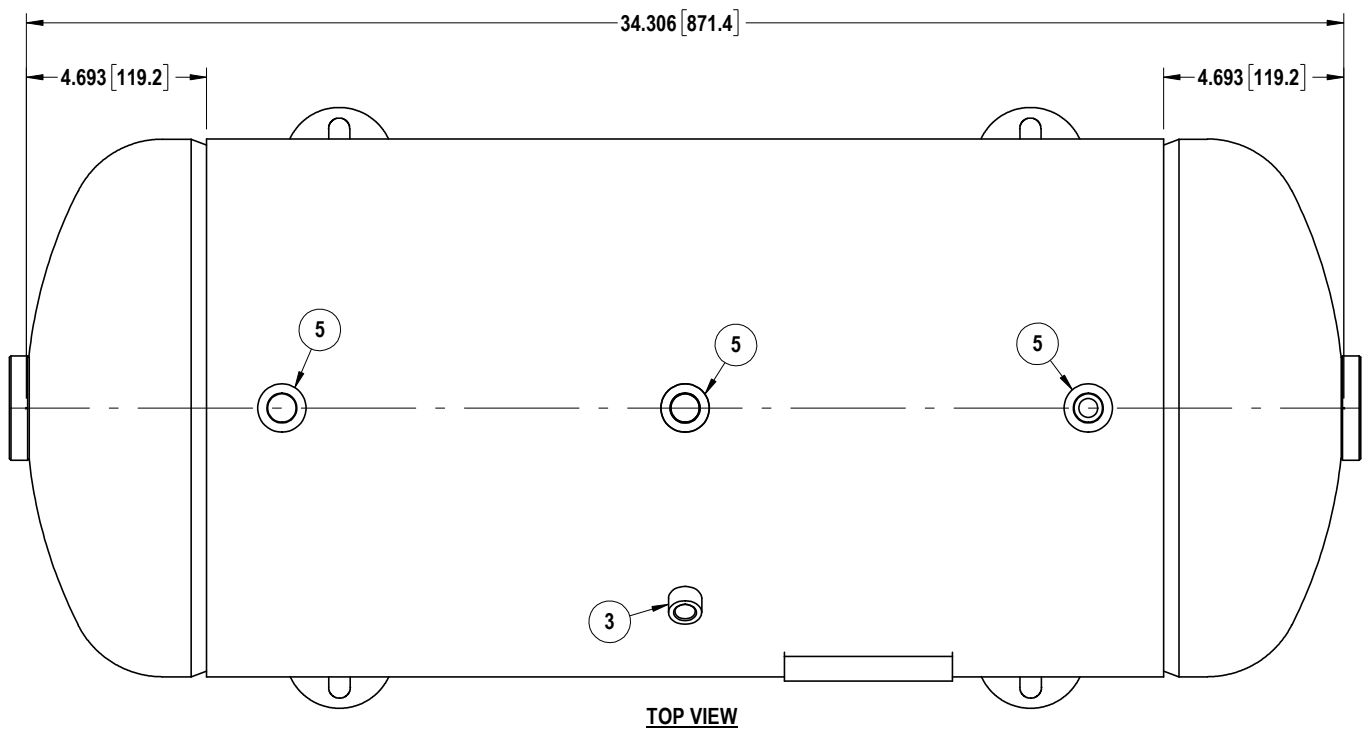
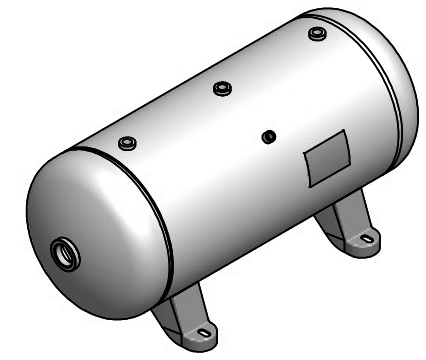
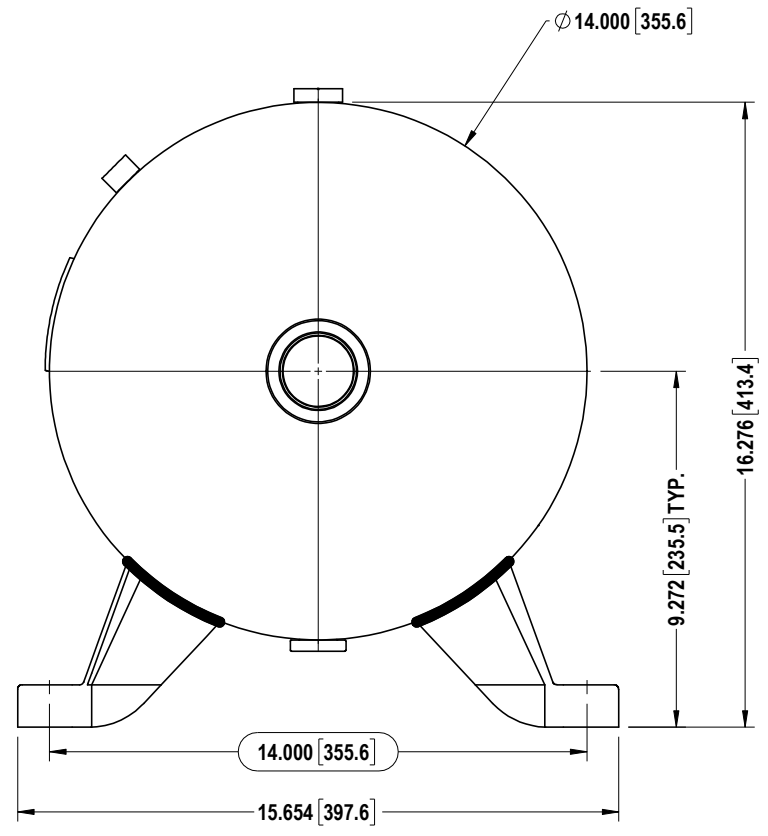
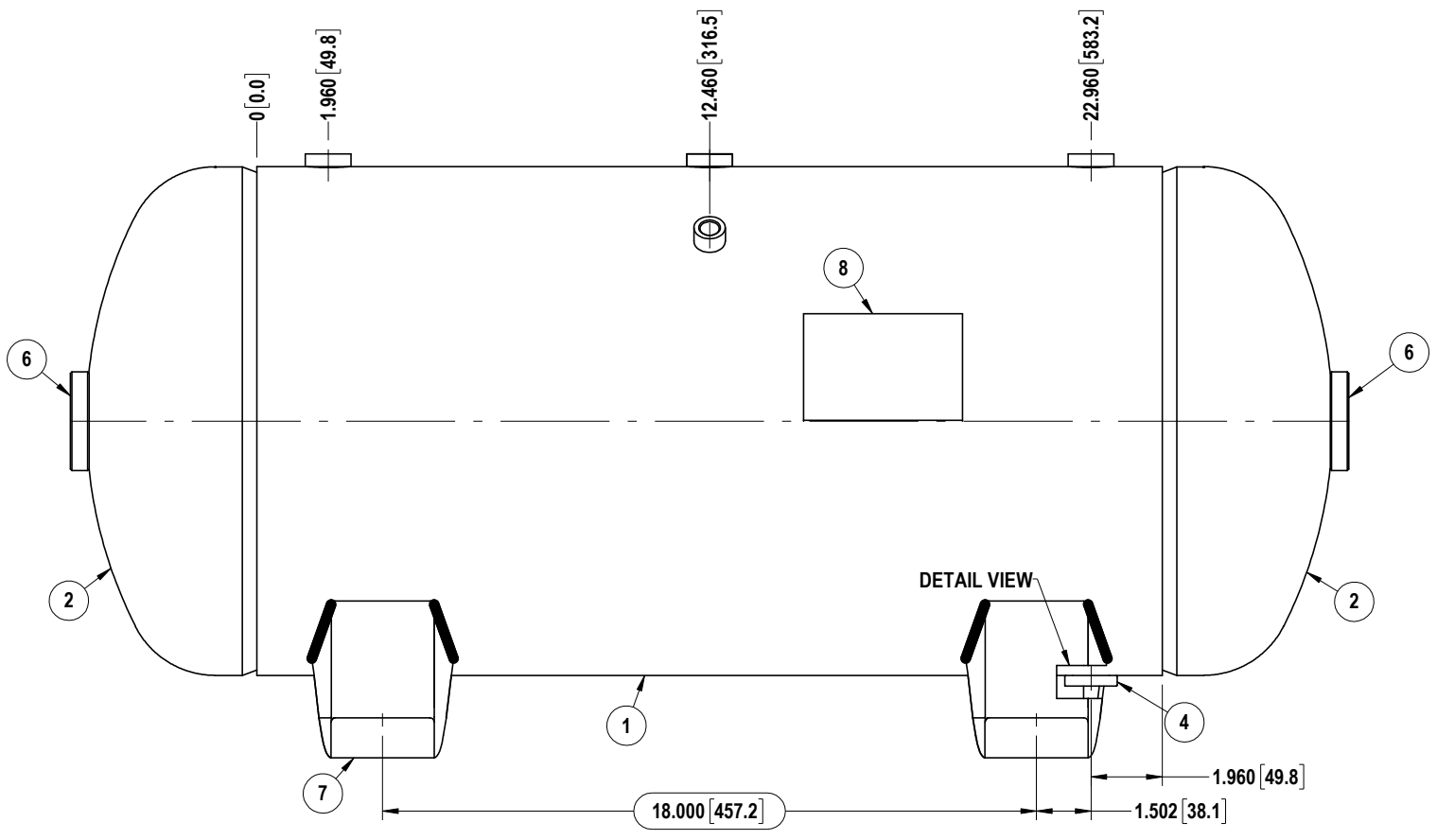


THIS DRAWING & SPECIFICATIONS ARE PROPERTY OF MORGANTON PRESSURE VESSELS AND MAY NOT BE COPIED, REPRODUCED, OR USED IN WHOLE OR PART, AS A BASIS FOR DESIGN MANUFACTURE OR SALE WITHOUT PRIOR PERMISSION FROM MORGANTON PRESSURE VESSELS.

DESIGN INFORMATION	
SPECIFICATION	VALUE
DIAMETER (O.D.)	14.000"
MAWP	300 PSI AT 650°F
MDMT	-20°F AT 300 PSI
CAPACITY	APPROX 20 GALLONS
APPROX. WEIGHT	73 LBS



TOP VIEW

ITEM#	DESCRIPTION	QTY.
8	NAME PLATE	1
7	LEG	4
6	1-1/2" NPT COUPLING	2
5	1/2" NPT COUPLING	4
4	1/4" NPT FLAT COUPLING	1
3	1/4" NPT COUPLING	1
2	HEAD	2
1	SHELL	1

**MORGANTON** TOLERANCES, IF NOT INDICATED, ACCORDING TO:  
 -ASME- SECTION VIII DIV. 1  
 20 GALLON HORIZONTAL AIR RECEIVER  
 DWG. NO. **VES0010329**  
 NOT FOR PRODUCTION USE