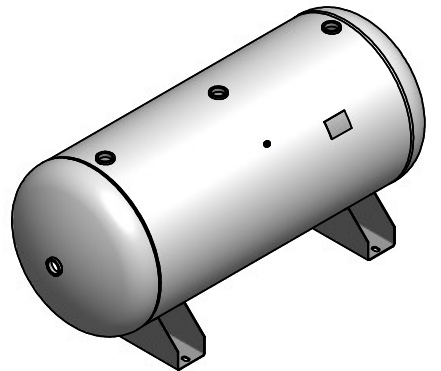
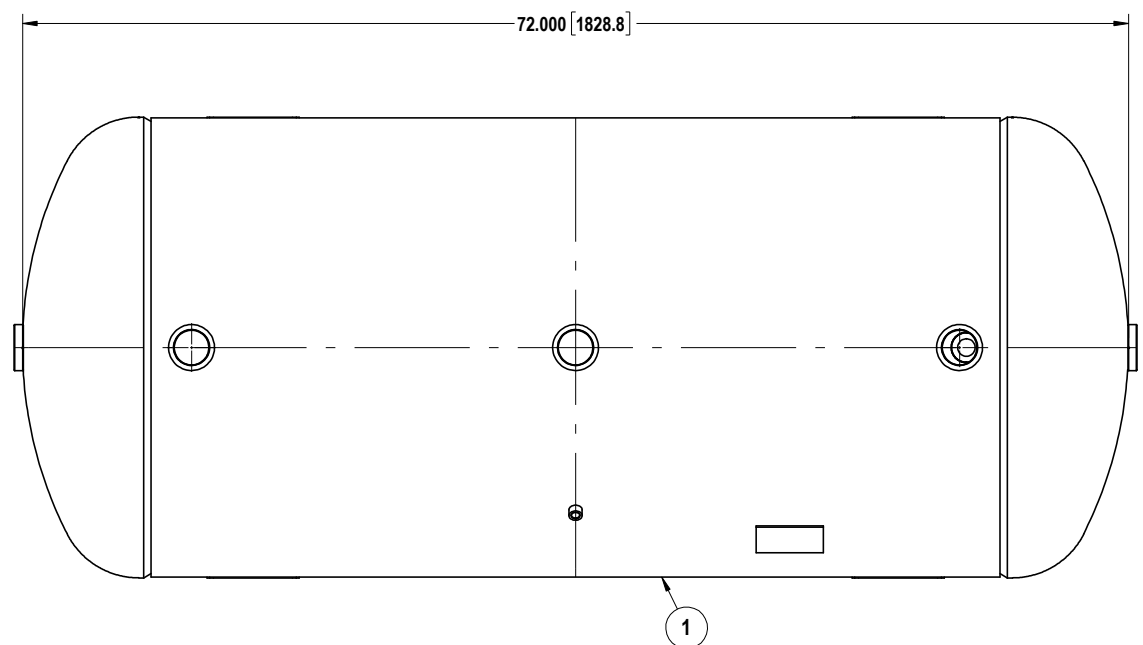
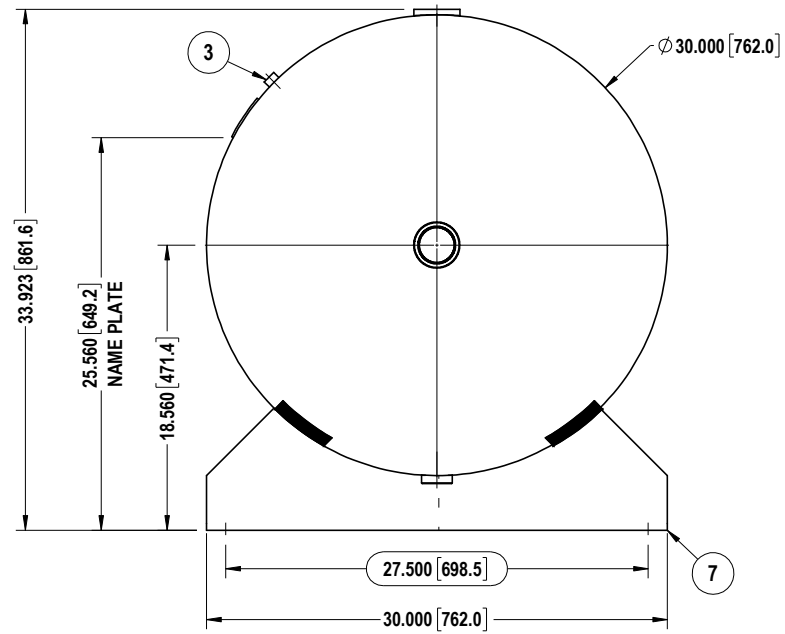
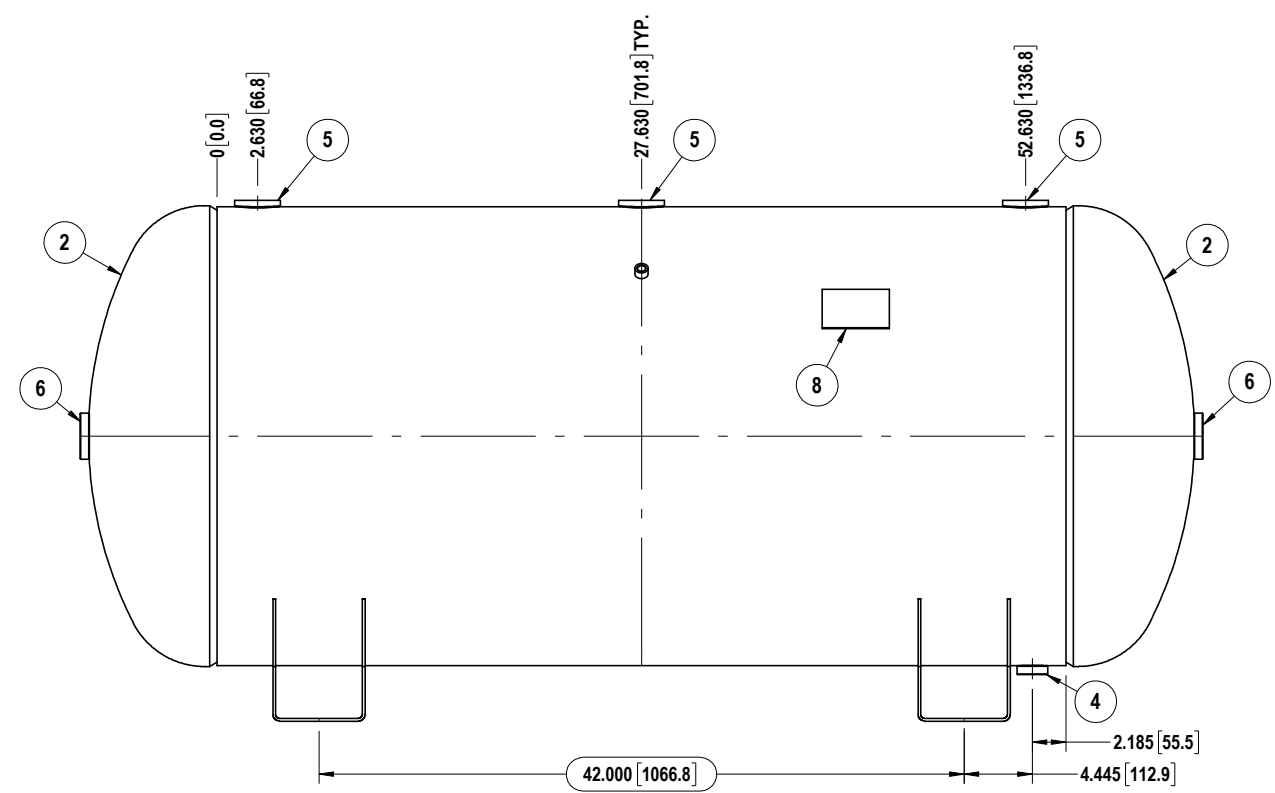


THIS DRAWING & SPECIFICATIONS ARE PROPERTY OF MORGANTON PRESSURE VESSELS AND MAY NOT BE COPIED, REPRODUCED, OR USED IN WHOLE OR PART, AS A BASIS FOR DESIGN MANUFACTURE OR SALE WITHOUT PRIOR PERMISSION FROM MORGANTON PRESSURE VESSELS.

DESIGN INFORMATION	
SPECIFICATION	VALUE
DIAMETER (O.D.)	30.000"
MAWP	200 PSI AT 650°F
MDMT	-20°F AT 200 PSI
CAPACITY	APPROX 200 GALLONS
APPROX. WEIGHT	472 LBS



ITEM#	DESCRIPTION	QTY.
8	NAME PLATE	1
7	LEG	2
6	2" NPT COUPLING	2
5	2" NPT COUPLING - PROFILED	3
4	1" NPT COUPLING	1
3	1/4" NPT COUPLING	1
2	HEAD	2
1	SHELL	1

<p>MORGANTON -ASME- SECTION VIII DIV. 1 200 GALLON HORIZONTAL AIR RECEIVER</p>	<p>TOLERANCES, IF NOT INDICATED, ACCORDING TO: C-G SE 03.03 / 3</p>
	<p>DWG. NO. VES0010339</p>
	<p>NOT FOR PRODUCTION USE</p>