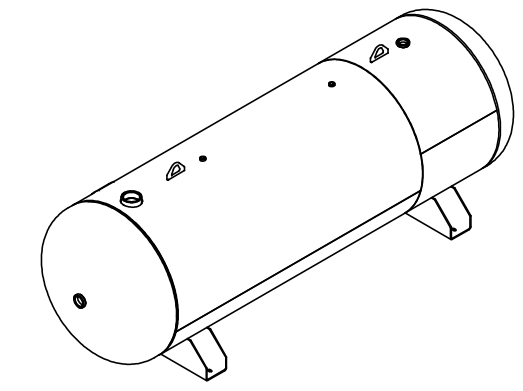
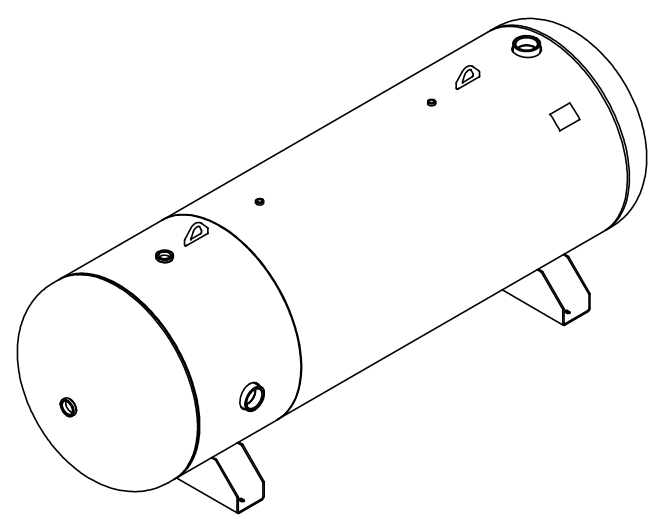
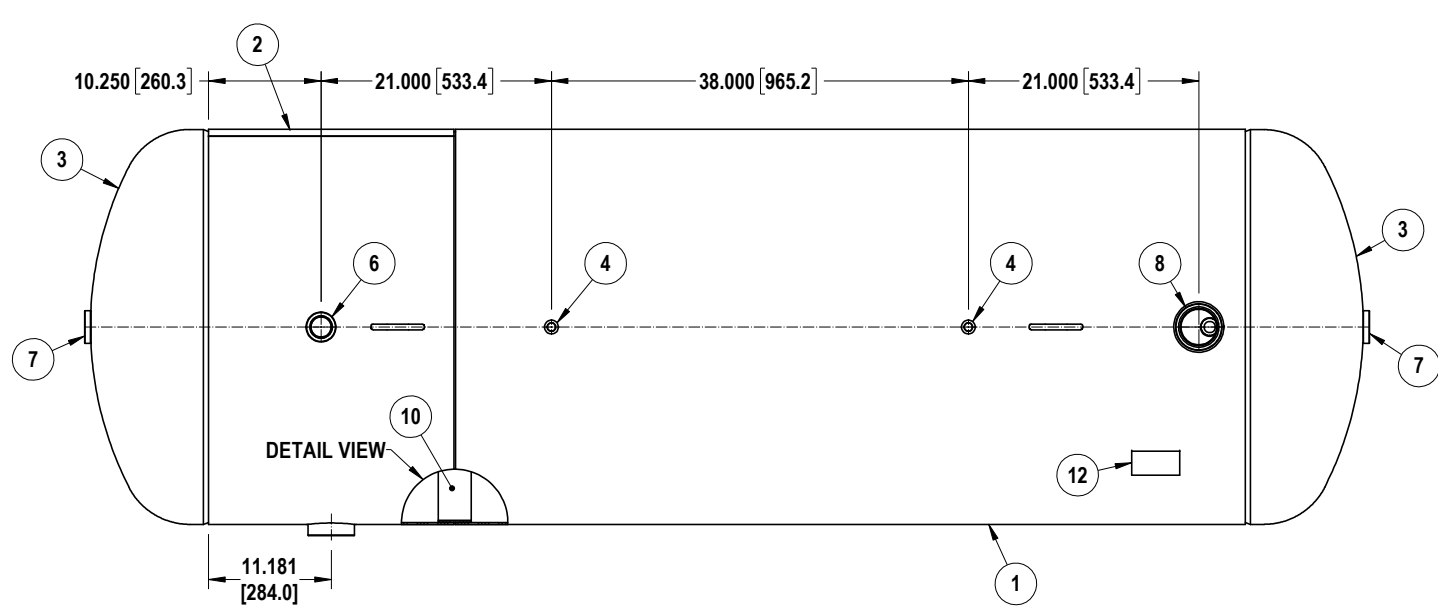
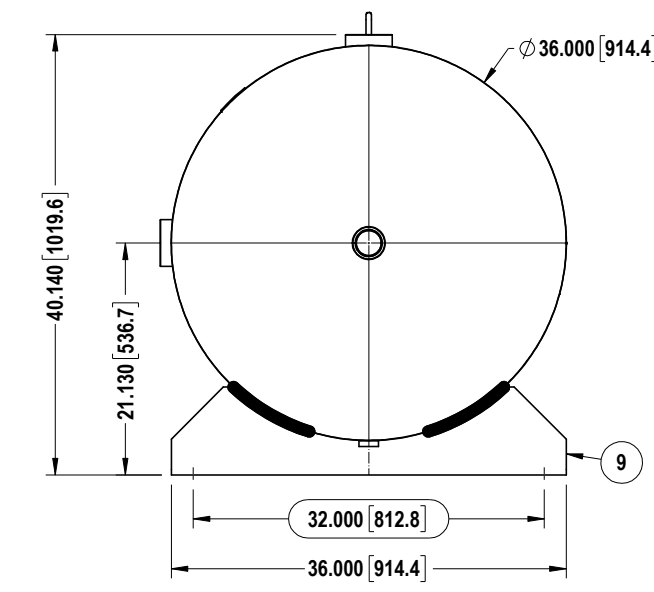
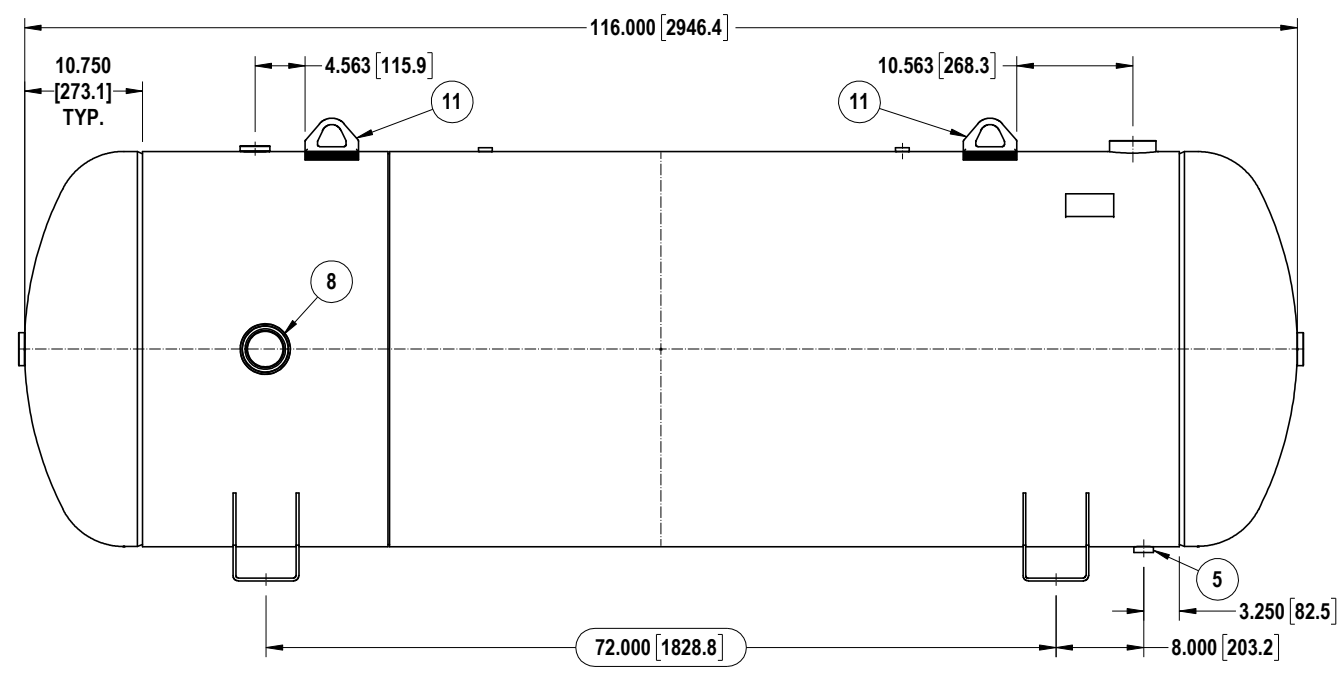


THIS DRAWING & SPECIFICATIONS ARE PROPERTY OF MORGANTON PRESSURE VESSELS AND MAY NOT BE COPIED, REPRODUCED, OR USED IN WHOLE OR PART, AS A BASIS FOR DESIGN, MANUFACTURE, OR SALE WITHOUT PRIOR PERMISSION FROM MORGANTON PRESSURE VESSELS.

| DESIGN INFORMATION | |
|--------------------|--------------------|
| SPECIFICATION | VALUE |
| DIAMETER (O.D.) | 36.000" |
| MAWP | 165 PSI AT 650°F |
| MDMT | -20°F AT 165 PSI |
| CAPACITY | APPROX 500 GALLONS |
| APPROX. WEIGHT | 870 LBS |



| ITEM# | DESCRIPTION | QTY. |
|-------|----------------------|------|
| 12 | NAME PLATE | 1 |
| 11 | LIFTING LUG | 2 |
| 10 | BACKING STRIP | 1 |
| 9 | SADDLE | 2 |
| 8 | 3" NPT HALF COUPLING | 2 |
| 7 | 2" NPT COUPLING | 2 |
| 6 | 1-1/2" NPT COUPLING | 1 |
| 5 | 3/4" NPT COUPLING | 1 |
| 4 | 1/2" NPT COUPLING | 2 |
| 3 | HEAD | 2 |
| 2 | SHORT SHELL | 1 |
| 1 | LONG SHELL | 1 |

| | |
|---|---|
| | TOLERANCES, IF NOT INDICATED, ACCORDING TO: C-G SE 03.03 / 3 |
| | DWG. NO. VES0010720 |
| -ASME- SECTION VIII DIV. 1 500 GALLON HORIZONTAL AIR RECEIVER | NOT FOR PRODUCTION USE |