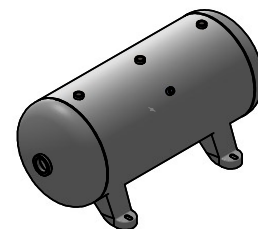
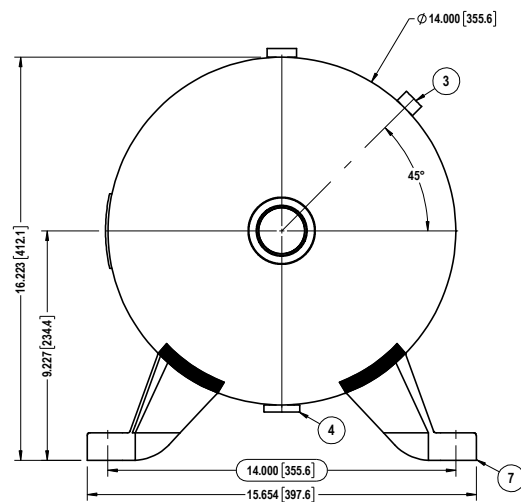
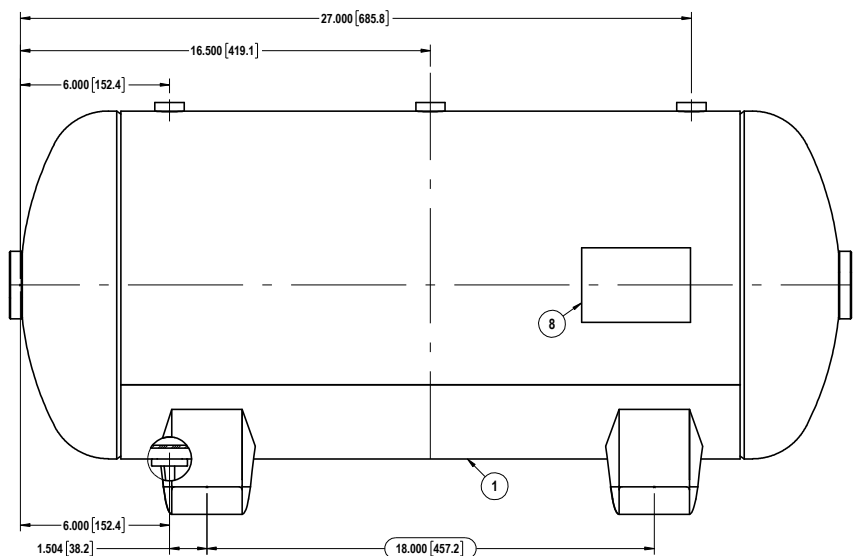
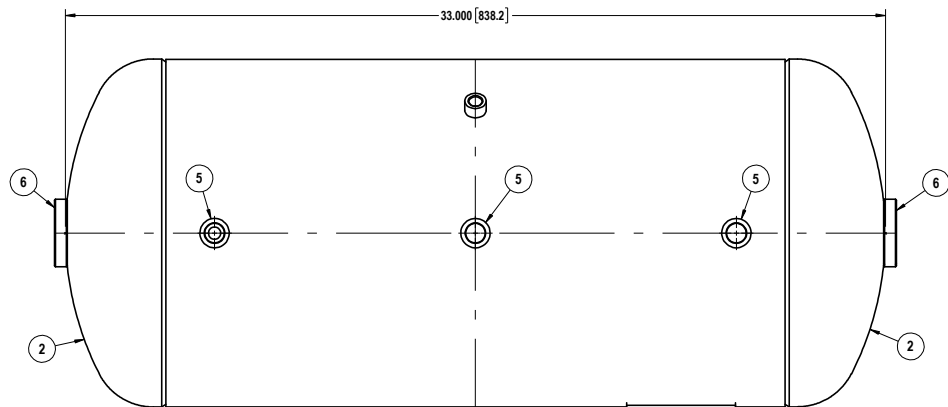


THIS DRAWING & SPECIFICATIONS ARE PROPERTY OF MORGANTON PRESSURE VESSELS AND MAY NOT BE COPIED, REPRODUCED, OR USED IN WHOLE OR PART, AS A BASIS FOR DESIGN MANUFACTURE OR SALE WITHOUT PRIOR PERMISSION FROM MORGANTON PRESSURE VESSELS.

DESIGN INFORMATION	
SPECIFICATION	VALUE
DIAMETER (O.D.)	14.000"
MAWP	200 PSI AT 650°F
MDMT	-20°F AT 200 PSI
CAPACITY	APPROX 20 GALLONS
APPROX. WEIGHT	54 LBS



ITEM#	DESCRIPTION	QTY.
8	NAME PLATE	1
7	LEG	4
6	1-1/2" NPT COUPLING	2
5	1/2" NPT COUPLING	3
4	1/4" NPT FLAT COUPLING	1
3	1/4" NPT COUPLING	1
2	HEAD	2
1	SHELL	1

NOT FOR PRODUCTION USE

**MORGANTON**

20 GALLON  
HORIZONTAL VESSEL  
-ASME-  
SEC. VIII DIV. 1

TOLERANCES, IF NOT INDICATED, ACCORDING TO:  
C-G SE 03.03 / 3  
DWG. NO.  
VES04770

8

7

6

5

4

3

2

1

8

7

6

5

4

3

2

1