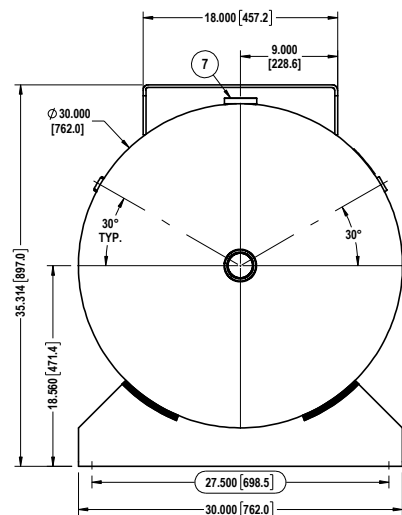
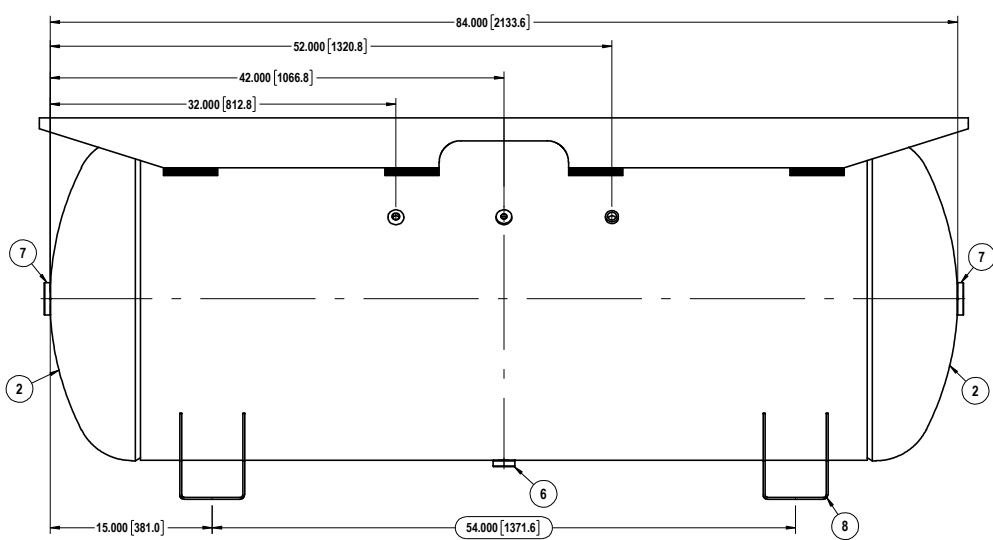
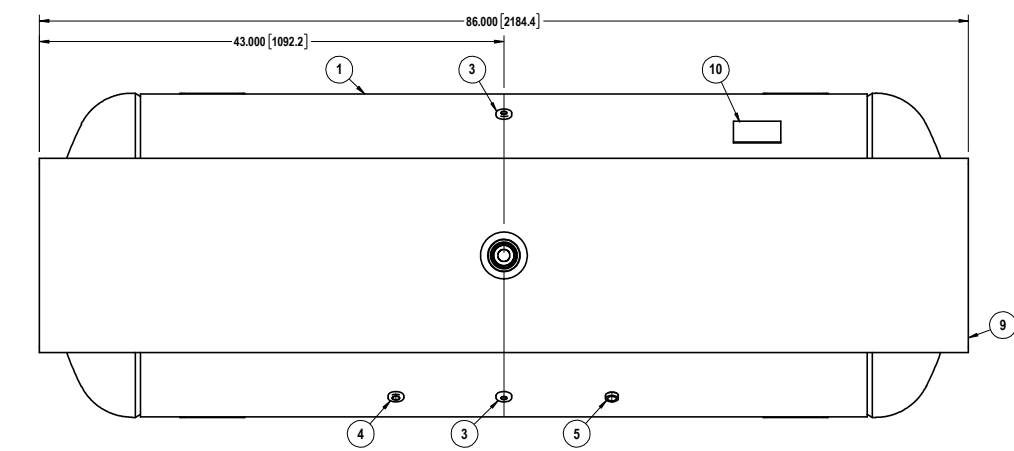
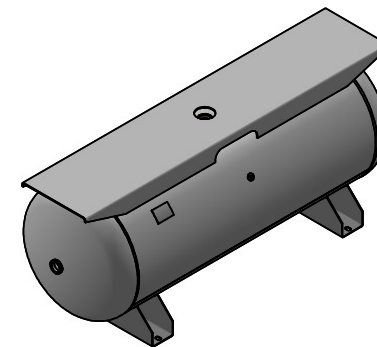


THIS DRAWING & SPECIFICATIONS ARE PROPERTY OF MORGANTON PRESSURE VESSELS AND MAY NOT BE COPIED, REPRODUCED, OR USED IN WHOLE OR PART, AS A BASIS FOR DESIGN MANUFACTURE OR SALE WITHOUT PRIOR PERMISSION FROM MORGANTON PRESSURE VESSELS.

DESIGN INFORMATION	
SPECIFICATION	VALUE
DIAMETER (O.D.)	30.000"
MAWP	200 PSI AT 650°F
MDMT	-20°F AT 200 PSI
CAPACITY	APPROX 240 GALLONS
APPROX. WEIGHT	735 LBS



ITEM#	DESCRIPTION	QTY.
10	NAME PLATE	1
9	TOP PLATE	1
8	LEG	2
7	2" NPT COUPLING	3
6	1" NPT COUPLING	1
5	1/2" NPT COUPLING	1
4	3/8" NPT FLAT COUPLING	1
3	1/4" NPT FLAT COUPLING	2
2	HEAD	2
1	SHELL	1

MORGANTON

240 GALLON
HORIZONTAL VESSEL
-ASME-
SEC. VIII DIV. 1

TOLERANCES, IF NOT INDICATED, ACCORDING TO:

C-G SE 03.03 / 3

DWG. NO.

VES09207

NOT FOR PRODUCTION USE

8 7 6 5 4 3 2 1