

MidFlow Oil Removing Filters



SPECIFICATIONS

Metal Bowl

- Zinc, black coated
- Max. supply pressure 250 psig
- Operating temperature range 40°F to 200°F

Metal Bowl with Sight

- Zinc, black coated
- Max. supply pressure 250 psig
- Operating temperature range 40°F to 160°F

Internal Float Drain

Note: limits bowl temperature and pressure rating.

- Operating pressure range 30 to 175 psig
- Operating temperature range 40°F to 120°F

Body black coated aluminum

Baffle plastic

Seals Buna N

Elements

- .9 micron borosilicate glass filter
D.O.P. Efficiency: 95%, Particle size removal, Remaining oil content by wt.: 2.5 PPM

KITS

- Internal float drain 5200

Bowl Kits

- 10 oz. with sight BKF47W
- 10 oz. without sight BKF47M
- 20 oz. with sight BKF48W
- 20 oz. without sight BKF48M

Element Kits

- .9 micron EK47
- Orange netting or dot EK48

Repair Kits

- Repair kit RKF47
- RKF48
- Replacement sight kit WK47
- Indicator pop-up kit DPK-05

Mounting Kit see page 65

- Mounting kit FBK7

FEATURES

- .9 micron element
- Low pressure drop
- Long element life
- Pop-up indicator indicates abnormal condition such as plugged element or excessive flow. Critical protection requires changing element at regular intervals.
- 10 oz. or 20 oz. black coated metal bowl with liquid level sight
- Manual twist drain

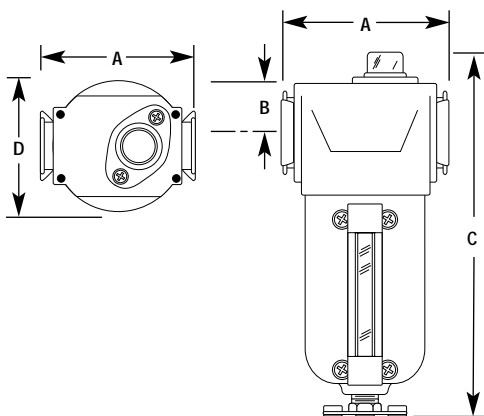
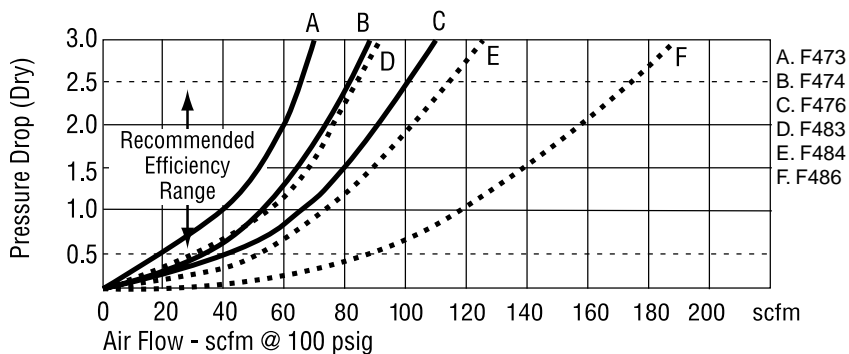
OPTIONS

add suffix to part number in alpha order

Float Drain

- F Internal float drain F473FW
- M Metal bowl without sight glass F473M

PERFORMANCE CHARACTERISTICS



DIMENSIONS

PIPE SIZE	MODEL NO.	MAX. FLOW SCFM*	BOWL CAPACITY	DIMENSIONS (INCHES)				WEIGHT (LBS.)
				A	B	C	D	
3/8"	F473W	66	10 oz.	3 3/4	1 1/8	8 1/4	3	2.7
3/8"	F483W	84	20 oz.	3 3/4	1 1/8	11 1/2	3	3.6
1/2"	F474W	83	10 oz.	3 3/4	1 1/8	8 1/4	3	2.7
1/2"	F484W	116	20 oz.	3 3/4	1 1/8	11 1/2	3	3.6
3/4"	F476W	98	10 oz.	3 3/4	1 1/8	8 1/4	3	2.7
3/4"	F486W	172	20 oz.	3 3/4	1 1/8	11 1/2	3	3.6

* Flow scfm based on 2.5 psi Δ p @ 100 psig inlet.