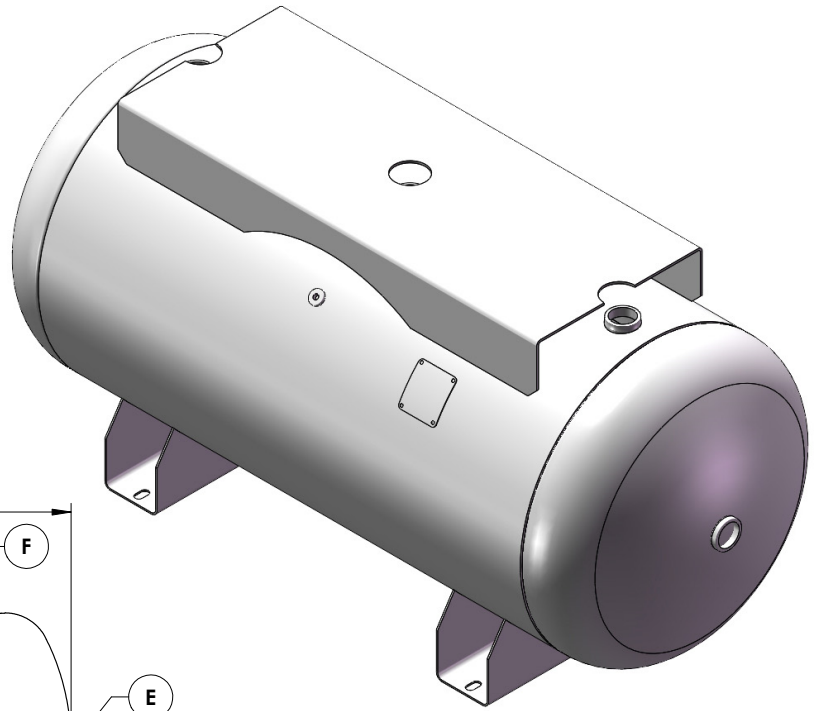
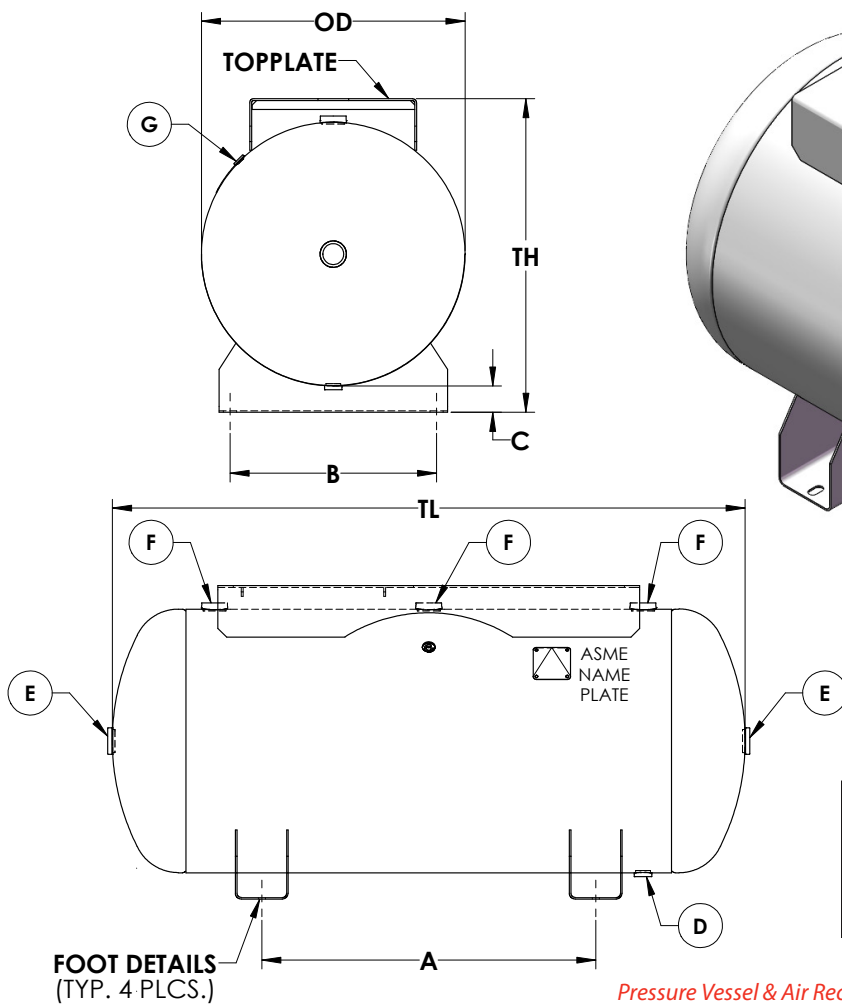


# Horizontal Air Receivers / 10-240 Gallons



FOOT DETAILS		
10-15 GALLON	7/16" $\phi$ HOLE	PRESSED STEEL FOOT
20-30 GALLON	7/16" X 3/4" SLOT	WING FOOT
60-80 GALLON	9/16" X 1 1/2" SLOT	WING FOOT
120 GALLON	1 1/16" X 1 3/4" SLOT	WING FOOT
200-240 GALLON	1 3/16" X 1 1/2" SLOT	SADDLE FOOT

Pressure Vessel & Air Receiver drawings available for download, visit [manchestertank.com](http://manchestertank.com).

NOM CAP		Part #	MAWP	Top Plate	TW*	DIMENSIONS IN INCHES						NPT OPENINGS			
Gal	Cu Ft					OD	TL	TH	A	B	C	D	E	F	G
10	1.34	302460	200	NONE	33	10	30	11.44	18	9.25	1.44	1/4	3/4	1/2	N/A
10	1.34	302461	200	.13 x 9 x 16	43	10	30	12.94	18	9.25	1.44	1/4	3/4	1/2	N/A
10	1.34	302462	300	.13 x 9 x 16	48	10	30	12.94	18	9.25	1.44	1/4	3/4	1/2	N/A
15	2.01	302463	200	NONE	45	12	33	13.06	20	11.00	1.06	1/4	3/4	1/2	N/A
15	2.01	302464	200	.13 x 9 x 18	54	12	33	14.56	20	11.00	1.06	1/4	3/4	1/2	N/A
15	2.01	302465	300	.13 x 9 x 18	66	12	33	14.56	20	11.00	1.06	1/4	3/4	1/2	N/A
20	2.67	302466	200	NONE	60	14	33	16.00	16	11.69	2.00	1/2	1 1/2	1/2	1/4
20	2.67	302467	200	.13 x 9 x 20	72	14	33	18.13	16	11.69	2.13	1/2	1 1/2	1/2	1/4
20	2.67	302468	300	.13 x 9 x 20	108	14	33	18.13	16	11.69	2.13	1/2	1 1/2	1/2	1/4
30	4.01	302469	200	NONE	86	16	38	18.00	20	12.81	2.00	1/2	1 1/2	3/4	1/4
30	4.01	302470	200	.18 x 10 x 24	108	16	38	20.63	20	12.81	2.00	1/2	1 1/2	3/4	1/4
30	4.01	302471	300	.18 x 10 x 24	140	16	40	20.63	20	12.81	2.00	1/2	1 1/2	3/4	1/4
60	8.02	302473	200	NONE	163	20	48	22.31	24	16.50	2.31	1/2	2	3/4	1/4
60	8.02	302474	200	.18 x 13.5 x 30	204	20	48	24.44	24	16.50	2.31	1/2	2	3/4	1/4
60	8.02	302475	300	.18 x 13.5 x 30	280	20	48	24.38	24	16.50	2.25	1/2	2	3/4	1/4
80	10.70	302476	200	NONE	207	20	63	22.31	32	16.50	2.31	1/2	2	1	1/4
80	10.70	302477	200	.25 x 15 x 40	263	20	63	24.13	32	16.50	2.31	1/2	2	1	1/4
80	10.70	302478	300	.25 x 15 x 40	371	20	63	24.00	32	16.50	2.25	1/2	2	1	1/4
120	16.04	302479	200	NONE	310	24	67	26.25	34	20.63	2.25	3/4	2	1 1/2	1/4
120	16.04	302480	200	.25 x 16 x 44	382	24	67	27.94	34	20.63	2.25	3/4	2	1 1/2	1/4
200	26.74	302482	200	NONE	525	30	72	33.00	38	23.50	3.00	1	2	2	1/4
200	26.74	302483	200	.25 x 19 x 48	613	30	72	35.69	38	23.50	3.00	1	2	2	1/4
240	32.09	302484	200	NONE	601	30	84	33.00	44	23.50	3.00	1	2	2	1/4
240	32.09	302485	200	.25 x 19 x 48	689	30	84	35.69	44	23.50	3.00	1	2	2	1/4

\*Tank weight pounds is calculated, may vary slightly.