



MidFlow Series 3 Arrowfog Lubricators **L3**

SPECIFICATIONS

- Body**
- Black coated aluminum
- Metal Bowl**
- Zinc, black coated
 - Max. pressure 200 psig
 - Operating temperature range 40°F to 175°F
- Metal Bowl with Sight**
- Zinc, black coated
 - Max. pressure range 200 psig
 - Operating temperature range 40°F to 175°F
- Recommended Oil**
- SAE 10 oil or lighter
 - 3 scfm to establish drip rate
 - Atomized average 2 micron droplet

KITS

- Bowl Kits**
- Metal bowl with sight BKL47W
 - Metal bowl without sight BKL47M
 - Metal bowl with sight BKL48W
 - Metal bowl without sight BKL48M
- Repair Kits**
- For L370 RKL372
 - For L380 RKL382
 - Dome kit AK35
 - Fill plug kit FK37
- Mounting Kit** see page 65
- Mounting kit FBK7

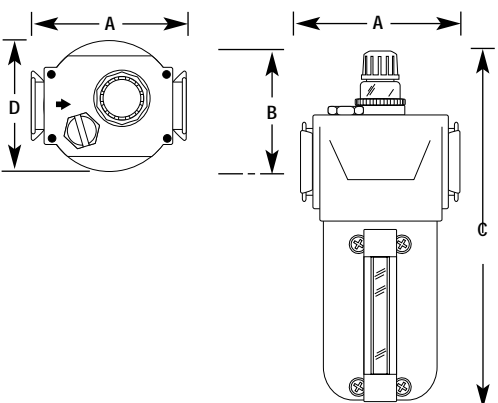
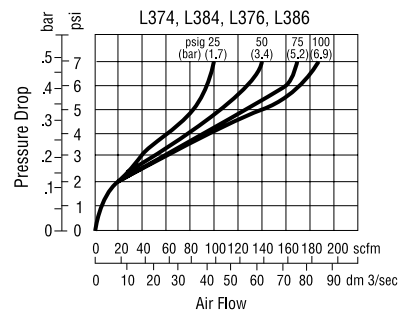
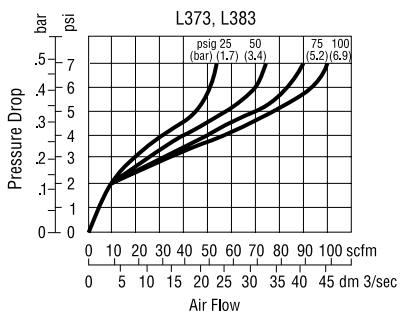
FEATURES

- Oil delivery at low air flow approximately 2 scfm
- Lubricator may be filled without shutting down air line
- 3-position non-rising adjustment knob; push to lock, pull to adjust, detach for tamper resistant
- Can be converted on-line to Ultrafog lubricator with interchangeable module Part # RKL452

OPTIONS

add suffix to part number in alpha order
M 6 oz. black coated metal bowl L373M

PERFORMANCE CHARACTERISTICS



DIMENSIONS

PIPE SIZE	MODEL NO.	MAX. FLOW SCFM*	BOWL CAPACITY	DIMENSIONS (INCHES)				WEIGHT (LBS.)
				A	B	C	D	
3/8"	L373W	82	10 oz.	3 ³ / ₄	2 ⁵ / ₁₆	8 ¹³ / ₃₂	3	2.4
3/8"	L383W	82	20 oz.	3 ³ / ₄	2 ⁵ / ₁₆	11 ¹⁹ / ₃₂	3	3.3
1/2"	L374W	142	10 oz.	3 ³ / ₄	2 ⁵ / ₁₆	8 ¹³ / ₃₂	3	2.4
1/2"	L384W	142	20 oz.	3 ³ / ₄	2 ⁵ / ₁₆	11 ¹⁹ / ₃₂	3	3.3
3/4"	L376W	142	10 oz.	3 ³ / ₄	2 ⁵ / ₁₆	8 ¹³ / ₃₂	3	2.4
3/4"	L386W	142	20 oz.	3 ³ / ₄	2 ⁵ / ₁₆	11 ¹⁹ / ₃₂	3	3.3

* Flow scfm based on 5.0 psi Δ p @ 100 psig inlet.