

## MidFlow Series 4 Ultrafog Lubricators



### SPECIFICATIONS

#### Body

- Black coated aluminum

#### Metal Bowl

- Zinc, black coated
- Max. pressure 250 psig
- Operating temperature range 40°F to 125°F

#### Metal Bowl with Sight

- Zinc, black coated
- Max. pressure range 200 psig
- Operating temperature range 40°F to 175°F

#### Recommended Oil

- SAE 10 oil or lighter
- 2 scfm to establish drip rate
- Atomized average .6 micron
- 1 out of 28 drops travel downstream
- Cannot be filled under pressure

### KITS

#### Bowl Kits

- Metal bowl without sight . . . . BKL47M
- Metal bowl with sight . . . . . BKL47W

#### Repair Kits

- For L350 . . . . . RKL470
- Dome kit . . . . . AK37
- Fill plug kit . . . . . FK47

#### Mounting Kit see page 65

- Mounting kit . . . . . FBK7

### FEATURES

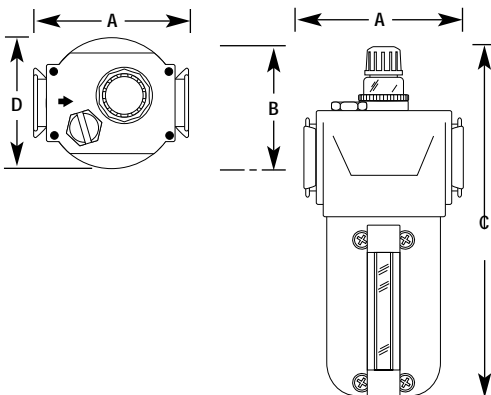
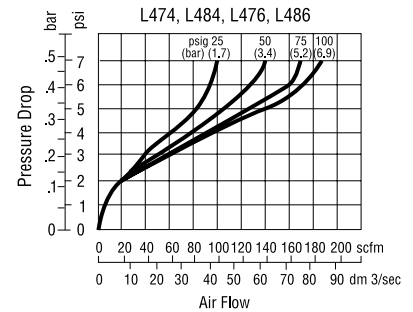
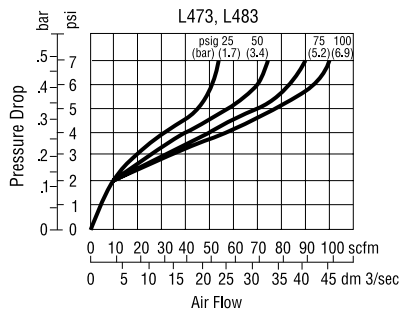
- Aluminum housing
- Oil delivery at low air flow approximately 2 scfm
- 3-position non-rising adjustment knob; push to lock, pull to adjust, detach for tamper resistant
- Convert on-line to Arrowfog with interchangeable module #RKL352

### OPTIONS

add suffix to part number in alpha order

- M 6 oz. black coated metal bowl . . . . . L472M

### PERFORMANCE CHARACTERISTICS



### DIMENSIONS

PIPE SIZE	MODEL NO.	MAX. FLOW SCFM*	BOWL CAPACITY	DIMENSIONS (INCHES)				WEIGHT (LBS.)
				A	B	C	D	
3/8"	L473W	82	10 oz.	3 <sup>3</sup> / <sub>4</sub>	2 <sup>5</sup> / <sub>16</sub>	8 <sup>13</sup> / <sub>32</sub>	3	2.4
3/8"	L483W	82	20 oz.	3 <sup>3</sup> / <sub>4</sub>	2 <sup>5</sup> / <sub>16</sub>	11 <sup>19</sup> / <sub>32</sub>	3	3.3
1/2"	L474W	142	10 oz.	3 <sup>3</sup> / <sub>4</sub>	2 <sup>5</sup> / <sub>16</sub>	8 <sup>13</sup> / <sub>32</sub>	3	2.4
1/2"	L484W	142	20 oz.	3 <sup>3</sup> / <sub>4</sub>	2 <sup>5</sup> / <sub>16</sub>	11 <sup>19</sup> / <sub>32</sub>	3	3.3
3/4"	L476W	142	10 oz.	3 <sup>3</sup> / <sub>4</sub>	2 <sup>5</sup> / <sub>16</sub>	8 <sup>13</sup> / <sub>32</sub>	3	2.4
3/4"	L486W	142	20 oz.	3 <sup>3</sup> / <sub>4</sub>	2 <sup>5</sup> / <sub>16</sub>	11 <sup>19</sup> / <sub>32</sub>	3	3.3

\* Flow scfm based on 5.0 psi Δ p @ 100 psig inlet.