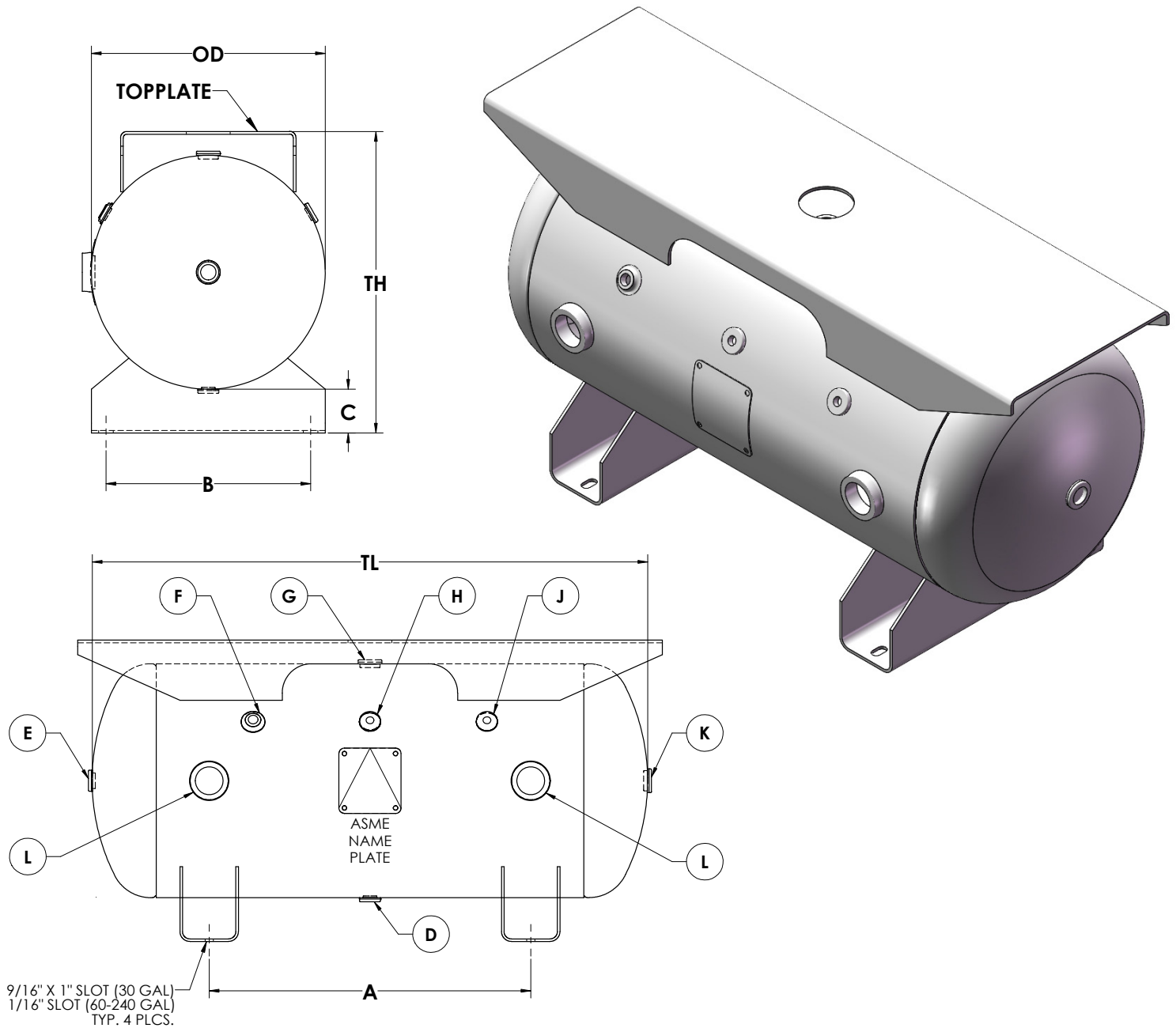


Extended Top Plate Horizontal Air Receivers / 30-240 Gallons



Pressure Vessel & Air Receiver drawings available for download, visit manchestertank.com.

NOM CAP		Part #	MAWP	Top Plate	TW*	DIMENSIONS IN INCHES						NPT OPENINGS							
Gal	Cu Ft					OD	TL	TH	A	B	C	D	E	F	G	H	J	K	L
30	4.01	302686	200	.18 x 12 x 40	129	16	38	20.63	22	14	3	1/4	1/2	3/8	3/4	1/4	1/4	3/4	1 1/2
60	8.02	302693	200	.25 x 16 x 54	266	20	48	25.56	26	18	4	1/2	1/2	3/8	1	1/4	1/4	1	3/4
80	10.7	303977	200	.25 x 16 x 69	334	20	63	25.63	36	18	4	3/4	3/4	3/8	1 1/2	1/4	1/4	1 1/4	3/4
120	16.04	302700	200	.25 x 16 x 74	438	24	69	29.63	42	22	4	3/4	1	3/8	1 1/2	1/4	1/2	1 1/2	3/4
200	26.74	302701	200	.25 x 18 x 86	684	30	72	35.75	42	28	4	1	1	3/8	3/4	1/4	1/2	2	3/4
240	32.09	303181	200	.25 x 18 x 86	763	30	84	35.75	54	28	4	1	1	3/8	2	1/4	1/2	2	3/4

*Tank weight pounds is calculated, may vary slightly.