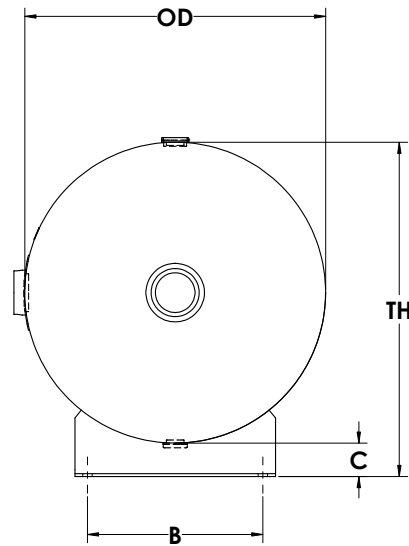
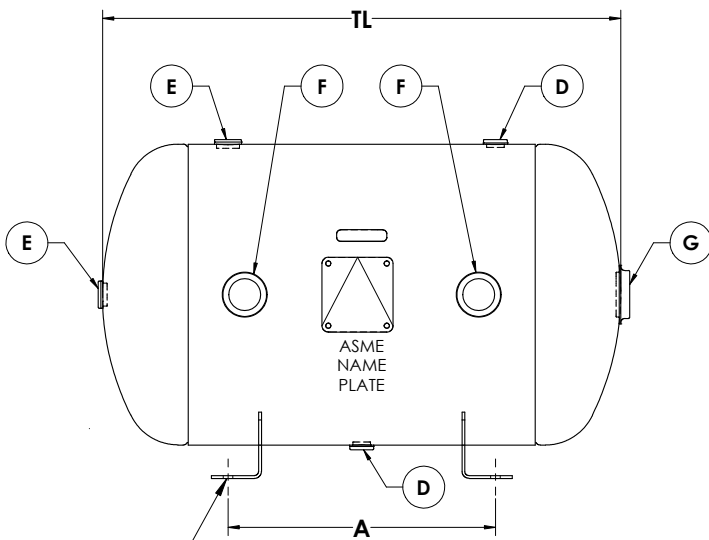
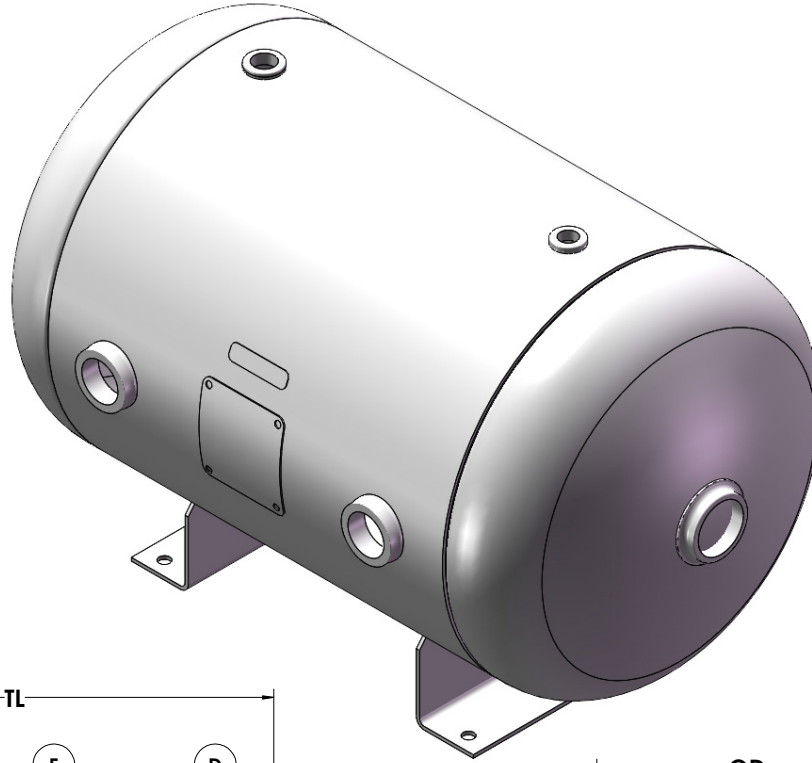


Universal Horizontal Air Receivers / 1-30 Gallons



$\varnothing 7/16"$ HOLES (1-15 GALLON)
 $\varnothing 9/16"$ HOLES (19-30 GALLON)
 (TYP. 4 PLCS.)

Pressure Vessel & Air Receiver drawings available for download, visit manchestertank.com.

NOM CAP		Part #	MAWP	TW*	DIMENSIONS IN INCHES						NPT OPENINGS			
Gal	Cu Ft				OD	TL	TH	A	B	C	D	E	F	G
1	0.13	304978	200	12	6	11	8	7	3.5	2	1/2	3/4	3/4	1
2	0.27	304980	200	15	8	11	10	7	4.5	2	1/2	3/4	3/4	1
3	0.40	304982	200	19	8	16	10	10	4.5	2	1/2	3/4	3/4	1
5	0.67	304932	200	22	10	16	12	10	6.5	2	1/2	3/4	3/4	1
7	0.94	304934	200	28	12	17	14	10	6.5	2	1/2	3/4	3/4	1
10	1.34	304936	200	35	12	23	14	10	6.5	2	1/2	3/4	3/4	1
13	1.74	304938	200	44	14	23	16	15	6.5	2	1/2	3/4	1 1/2	1
15	2.01	304940	200	48	14	26	16	15	8.5	2	1/2	3/4	1 1/2	1
19	2.54	304942	200	59	16	25	18	16	8.5	2	1/2	3/4	1 1/2	2
24	3.21	304944	200	72	16	31	18	16	10.5	2	1/2	3/4	1 1/2	2
30	4.01	304946	200	97	18	31	20	16	10.5	2	1/2	3/4	1 1/2	2

*Tank weight pounds is calculated, may vary slightly.